

LED

IP 66



IK08



-40 +50



PLFS-N 100 LED



- High color rendering index CRI 80
- Estimated service life 70 000 hours
- With OVP, OCP, OTP protection
- Autonomous reactivation after recovery
- CCT4000K / other CCT on request
- Frosted front glass on request

new
LED
more lm/W

CONSTRUCTION

Housing: aluminium powder painted casting

Diffuser: borosilicate glass,

Accessories: protected galvanized steel gird, assembly kit for wall, pipe and ceiling mounting

Gasket: silicon

TECHNICAL DATA

Certificate:	FIDI 19 ATEX 0031
Marking:	CE 0722
Apparatus category:	II 2G II 2D
Marking of explosion protection:	Ex db eb op is IIC T6 Gb Ex tb op is IIIC T80°C Db
Ambient temperature ATEX:	-40°C / -20°C ≤ T _a ≤ +40 / +50°C
Degree of protection:	IP 66 category 1
Resistance to shock:	IK 08
Protection class :	I (protective earthing)
Rated voltage:	90 - 305 V AC 127 - 431 V DC
Frequency:	50Hz / 60Hz
Rated power:	80W, 100W
Connecting terminals:	L1, L2, L3, N; max. 2 x 2,5 mm ² PE terminal ; max 2x6mm ²
Cable entry:	Connection box [3L+N+Pe] and true wiring + ISO20 metal plug 2x M20 (1x M20 Exd cable gland, 1x Exd M20 plug) ADP 23/1+ ISO20 metal plug
Weight:	9 kg
Packing:	The packing contains: 2 pcs 560 x 300 x 270 mm

MOUNTING

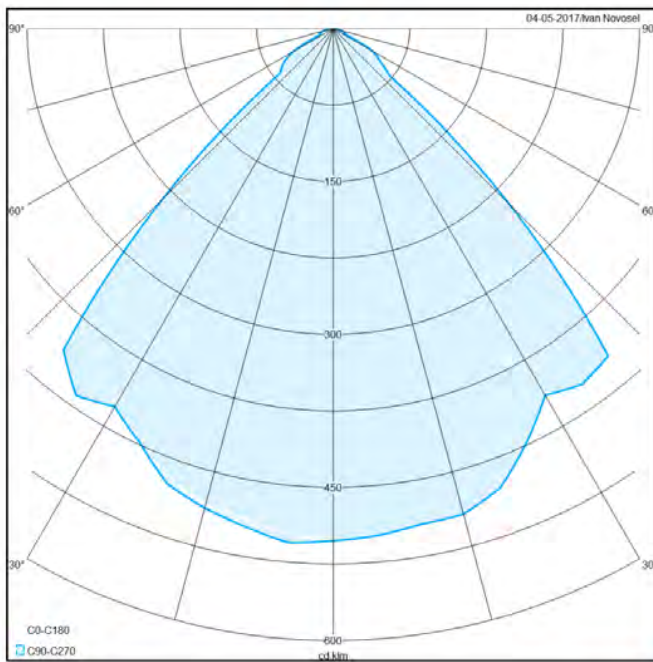
Pendant, on pipe, wall, ceiling

Pendant LED light fitting

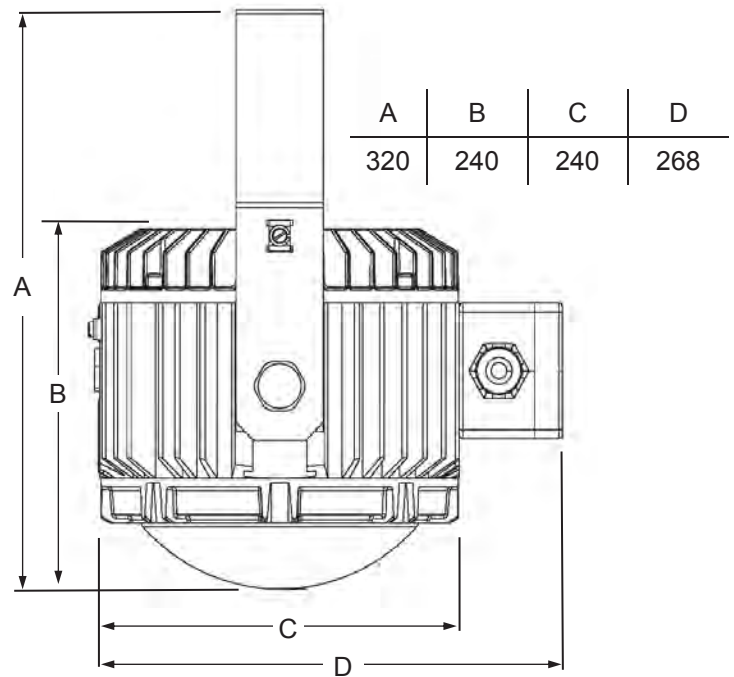
MODEL CODE

MODEL CODE	Power consumption [W]	Voltage [V]	Light fitting Luminous flux [lm]	System efficacy [lm/W]	AMBIENT TEMP.
PLFS-N 100 LED-3	80 W	90-305 V AC 127-431 V DC	10 150	127	-40°C ÷ +50°C
PLFS-N 100 LED-4	100 W		12 690		-40°C ÷ +40°C

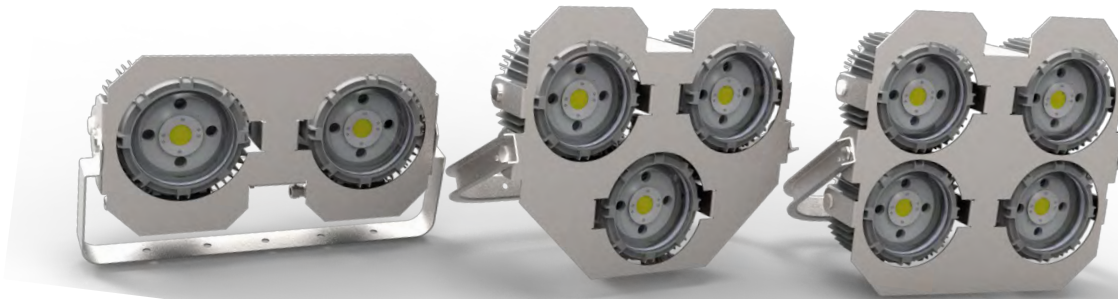
POLAR CURVE



DIMENSION DRAWING (mm)



MULTI FLOODLIGHTS SOLUTION



MODEL CODE	Power consumption [W]	Voltage [V]	Light fitting Luminous flux [lm]	WEIGHT kg
PLFS-N 2100 LED	2x 80 W	90-305 V AC 127-431 V DC	20 300	22
PLFS-N 3100 LED	3x 80 W		30 450	34
PLFS-N 4100 LED	4x 80 W		40 600	45

SPARE PARTS AND ACCESSORIES

SKETCH	DESCRIPTION	CODE	SKETCH	DESCRIPTION	CODE
	Replacement glass PLFS-N LED	PLFS LED 10-120		PLFS-N fixing bracket for tube R 1 1/2"	PLFS 20-120
	Wire guard PLFS LED	PLFS LED 10-130		PLFS-N mounting bracket (ceiling and wall mounting)	PLFS 20-130

All technical data is relevant at the time of print.