



2G11

IP 66



- Robust light alloy enclosure
- Borosilicate tube glass
- TC-L fluorescent compact lamps
- 100÷280V AC/DC
- 0-60 Hz

FLX



CONSTRUCTION

Housing: aluminium, corrosion resistant grey polyurethanes painted

Diffuser: borosilicate glass tube

Gasket: silicon

The light fitting is normally supplied with two light sources, two entries M20 and wall/sealing mounting set.

TECHNICAL DATA

Certificate:	FIDI 19 ATEX 0027 , EAC RU C-HR.AB24.B.03253
Marking:	CE 0722
Apparatus category:	II 2GD
Marking of explosion protection:	Ex db eb IIC T6 Gb / Ex db IIC T6 Gb Ex tb IIIC T80°C Db
Ambient temperature:	-20°C ≤ Ta ≤ +40°C [ATEX] -50°C ≤ Ta ≤ +50°C [EAC]
Degree of protection:	IP 66, category 1
Resistance to shock:	IK 08
Protection class :	I (protective earthing)
Rated voltage:	100 V ÷ 280 V AC/DC
Frequency:	0-60 Hz
Rated power:	See model code table
Ballast lumen factor:	98%
Light output ratio:	η=0,73%
Connecting terminals:	L1, L2, L3, N, PE - max. 2,5 mm ² PE for outside earthing max. 2 x 6 mm ²
Cable entry:	2 x M20 2 x 3/4"NPT 2 x M20, with one Ex d plugs and one adapter type ADP 03/24, for cable φ7-15 mm
Through wiring:	With two Ex de adapter ADP 03/24 - 4 x 2,5 mm ² , max. 16 A,

MOUNTING

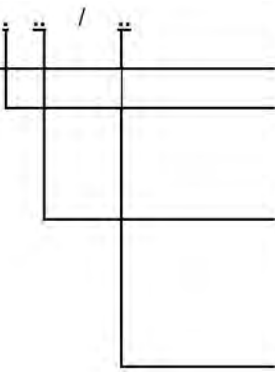
Pendant, on pipe, wall, ceiling mounting



Fluorescent light fitting

MODEL CODE

FLX



Basic marking code:

Number of fluorescent tubes:

- 1 – one tube
- 2 – two tubes

Power of fluorescent tubes :

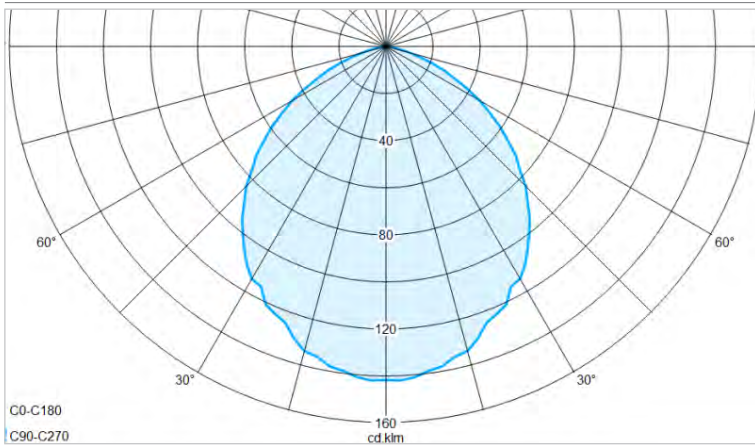
- 18 - 18 W TC-L
- 36 - 36 W TC-L
- 55 - 55 W TC-L

Cable entry designation:

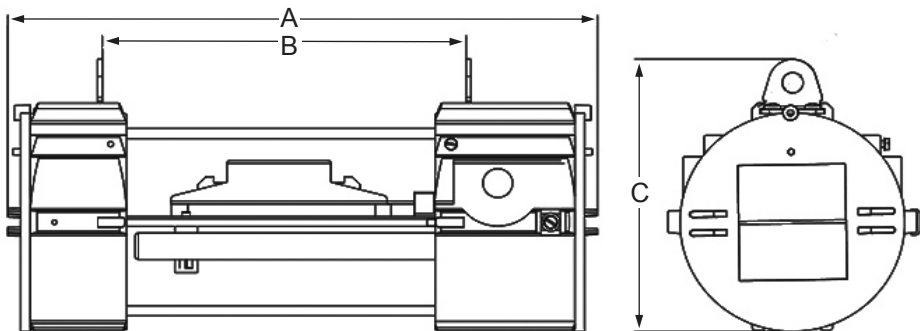
- 10 - Ex d cable entry 2 x M20
- 11 - Ex d cable entry 2 x 3/4"NPT
- 12 - Ex d cable entry 2 x M20 with one adapter type ADP 23/1 and one plug

Model code	Max. Wattage	Luminous flux [lm]	Weight
FLX 218	2x18 W	2 x 1200	4,6 kg
FLX 236	2x36 W	2 x 2900	5,8 kg
FLX 255	2x55 W	2 x 4700	8,0 kg

POLAR CURVE



DIMENSION DRAWING (mm)



	A	B	C
FLX 218	366	225	174
FLX 236	555	416	
FLX 255	680	542	

SPARE PARTS AND ACCESSORIES

Sketch	Description	Code	Sketch	Description	Code
	Cover gasket FLX	FLX 10-120		FLX Wall / ceiling mounting set	FLX 20-170
	Base plate FLX/...	FLX 10-130		FLX Pipe mounting set	FLX 20-180
	Protective grid FLX set	FLX 20-140		External reflector FLX	FLX 20-150

All technical data is relevant at the time of print.