

IP 66



# GGCD



- Active grounding system for static grounding and permanent monitoring
- Permanent removal of electrostatic charge during filling or emptying tanks (road tanks, railcar tanks, barrels)
- Two output contacts

## CONSTRUCTION

Enclosure: polyester plastic reinforced with glass fiber, color - black  
Cover: with integrated Thermoplastic elastomer gasket, closes with four M6 stainless steel screws.

## TECHNICAL DATA

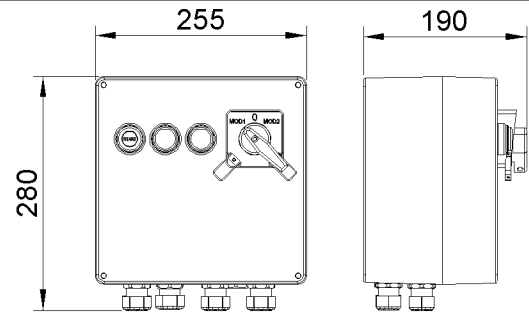
<b>Certificate:</b>	Ex FIDI 19 ATEX 0050, EAC RU C-HR.AB24.B.03293
<b>Marking:</b>	CE 0722
<b>Apparatus category:</b>	II 2GD
<b>Marking of explosion protection:</b>	Ex eb db [ib] mb IIC T5 Gb Ex tb IIIC T80° Db
<b>Ambient temperature ATEX:</b> <b>EAC:</b>	-20°C ≤ T <sub>a</sub> ≤ +50°C -50°C ≤ T <sub>a</sub> ≤ +50°C
<b>Degree of protection:</b>	IP 66 category 1
<b>Resistance to shock:</b>	IK 08
<b>Protection class :</b>	I (protective earthing)
<b>Rated voltage:</b>	230 V ± 10%
<b>Rated current:</b>	50 mA
<b>Frequency:</b>	50Hz
<b>Output circuit:</b>	2 NO/NC Un=250VAC, In=8A / 230V, 4A at cosφ=0.4
<b>Cable entry:</b>	3 x M25 - power supply, two output circuit 4 x M25 - 2x connection clamp , 2x wire to equipotential busbar or grounding
<b>Weight:</b>	6 kg (without clamp and cable) weight of clamps with 10 m cable ca. 2,5 kg
<b>Packing:</b>	The packing contains: 1 pcs 430x350x230 mm

# Grounding and grounding control device

## MODEL CODE

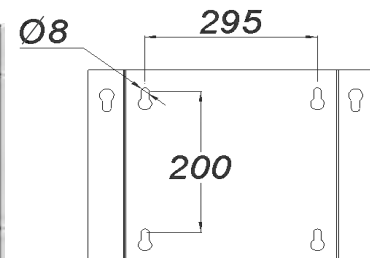
## DIMENSION DRAWING (mm)

MODEL CODE	DESCRIPTION
GGCD-01/K1	Type with one Clamp with 10m spiral cable
GGCD-01/K2	Type with two Clamps with 10m spiral cable



## Principle of work for GGCD-01/..

State of earthing process		Reaction of the earthing monitoring device
	GGCD 01/K1 is not correct connected and turned ON. Clamp is not connected, grounding equipment not in use	Earthing incorrect • Red indicating lamp ON • Green indicating lamp OFF • Contact OPEN
	GGCD 01/K1 is correct connected and turned ON, but clamp is directly grounded, e.g. via the loading platform	Earthing incorrect (only MOD 2) • Red indicating lamp ON • Green indicating lamp OFF • Contacts OPEN
	GGCD 01/K1 is correct connected and turned ON. Clamp connected to tank vehicle.	Earthing OK • Red indicating lamp OFF • Green indicating lamp ON • Contacts CLOSED
	GGCD 01/K1 is correct connected and turned ON, but cable to the grounding is disconnected.	Earthing incorrect • Red indicating lamp ON • Green indicating lamp OFF • Contacts OPEN
	GGCD 01/K1 is correct connected and turned ON. Clamp connected to tank vehicle. Tank vehicle is grounded subsequently (e.g. via the loading arm).	Earthing OK • Red indicating lamp OFF • Green indicating lamp ON • Contacts CLOSED
	GGCD 01/K2 is correct connected and turned ON. Two clamps are connected on two separate object grounding.	Earthing incorrect • Red indicating lamp ON • Green indicating lamp OFF • Contacts OPEN
	GGCD 01/K2 is correct connected and turned ON. Two clamps are connected on one object grounding.	Earthing OK • Red indicating lamp OFF • Green indicating lamp ON • Contacts CLOSED



Ex grounding and grounding control device GGCD with cable protection

All technical data is relevant at the time of print.