

IP 66



SKX ..I/E



- Enclosures in stainless steel AISI 316L
- 4 basic enclosure sizes
- Fitted according to the customer's requirements

CONSTRUCTION

Enclosure: Stainless steel AISI 316L, brush finished, thickness 1.5mm
Cover: with integrated thermoplastic elastomer gasket, closes with four M5 stainless steel screws.

TECHNICAL DATA

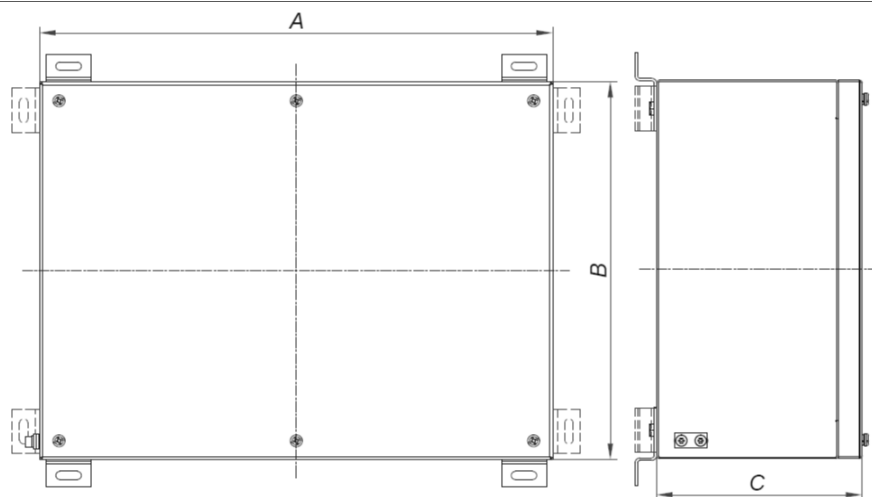
Certificate:	FIDI 19 ATEX 0057 EAC RU C-HR.AB24.B.03296
Marking:	0722
Apparatus category:	II 2G II 2D
Marking of explosion protection:	Ex eb IIC TG Gb Ex ia/ib IIC TO Gb Ex eb ia/ib IIC T6 cb Ex tb IIIC T80°C Db
Ambient temperature ATEX: EAC:	-20°C ≤ T _a ≤ +50°C -50°C ≤ T _a ≤ +50°C
Degree of protection:	IP 66 category 1
Resistance to shock:	IK 08
Protection class :	I (protective earthing)
Rated voltage:	630 V
Nominal current:	Up to 125 A (depend on size and number of terminals)
Maximum safe voltage U_m for intrinsically safe circuits Exi:	60 V
PE terminals (inside of the enclosure):	max. 2x4 mm ² +2x2,5 mm ² , 3x4 mm ² , 2x6 mm ²
N/PE rails inside the enclosure:	2 pcs, 11 terminals 2x4mm ² max.
Weight (without cable glands):	SKX 16I/E 3,1 kg SKX 18I-1/E..... 4,8 kg SKX 18I-2/E 5,4 kg SKX 20I/E 5,6 kg

MOUNTING

With four screws through the housing holes $\phi 8$ mm at the peaks the rectangle:

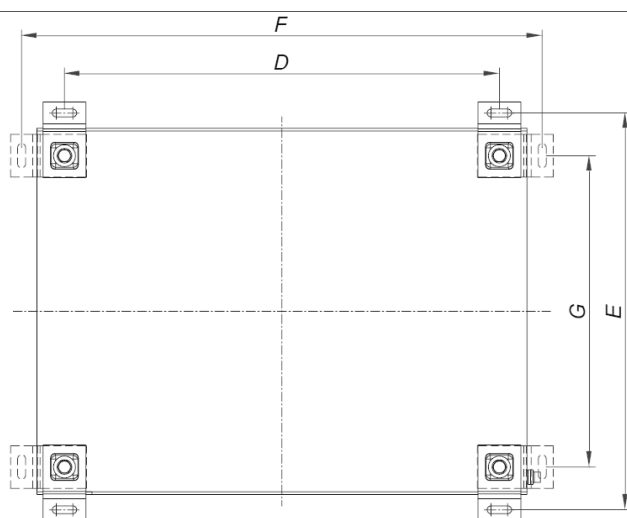


Stainless steel terminal box SKX 16I/E, SKX 18I-1/E, SKX 18I-2/E, SKX 20 I



Type	A[mm]	B[mm]	C[mm]
SKX 16I/E	300	200	120
SKX 18I-1/E	400	200	120
SKX 18I-2/E	400	300	120
SKX 20I/E	600	200	120

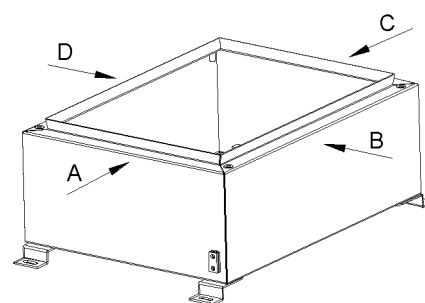
MOUNTING



Type	D[mm]	E[mm]	F[mm]	G[mm]
SKX 16I/E	255	225	330	152
SKX 18I-1/E	355	225	430	152
SKX 18I-2/E	355	325	430	252
SKX 20I/E	555	625	630	152

Max. number of mounted cable entries:

TYPE Dimension	SKX 16I/E 300X200X120		SKX 18I-1/E 400X200X120		SKX 18I-2/E 400X300X120		SKX 20I/E 600X200X120	
	A-C	B-D	A-C	B-D	A-C	B-D	A-C	B-D
M20x1.5	9	10	9	17	9	17	9	24
M25x1.5	7	9	7	15	7	15	7	22
M32x1.5	3	5	3	9	3	9	3	12
M40x1.5	3	3	3	6	3	6	3	8
M50x1.5	2	3	2	5	2	5	2	6
M63x1.5	2	2	2	4	1	4	2	6



All technical data is relevant at the time of print.

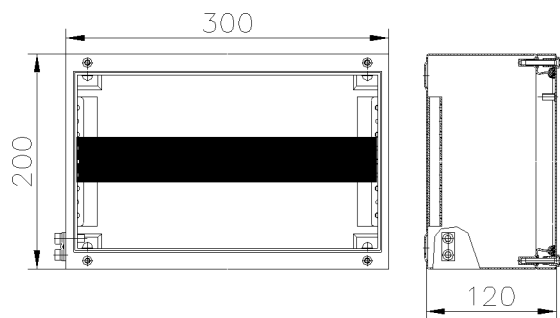
Terminal box SKX 16I/E (300x200x120 mm)

Table of allowed number of terminals

Nominal cross section of conductors / terminals (mm ²)	Maximum number of terminals	Ambient temperature Ta[°C]	I _{max} [A]
2,5 / 2,5	60	-20°C ÷ +40 °C	9
2,5 / 2,5	30		13
2,5 / 2,5	4		18
2,5 / 2,5	60	-20°C ÷ +50 °C	8
2,5 / 2,5	30		11
2,5 / 2,5	4		16
4 / 4	48	-20°C ÷ +40 °C	13
4 / 4	24		18
4 / 4	4		26
4 / 4	48	-20°C ÷ +50 °C	11
4 / 4	24		16
4 / 4	4		22
6 / 6	36	-20°C ÷ +40 °C	18
6 / 6	18		26
6 / 6	4		35
6 / 6	36	-20°C ÷ +50 °C	16
6 / 6	18		22
6 / 6	4		31
10 / 10	30	-20°C ÷ +40 °C	26
10 / 10	14		40
10 / 10	4		48
10 / 10	30	-20°C ÷ +50 °C	22
10 / 10	14		34
10 / 10	4		40
16 / 16	22	-20°C ÷ +40 °C	38
16 / 16	11		52
16 / 16	4		63
16 / 16	22	-20°C ÷ +50 °C	32
16 / 16	11		45
16 / 16	4		54
25 / 25	18	-20°C ÷ +40 °C	52
25 / 25	11		65
25 / 25	4		80
25 / 25	18	-20°C ÷ +50 °C	45
25 / 25	11		56
25 / 25	4		69
35 / 35	14	-20°C ÷ +40 °C	65
35 / 35	8		90
35 / 35	4		94
35 / 35	14	-20°C ÷ +50 °C	56
35 / 35	8		80
35 / 35	4		82
50 / 50	10	-20°C ÷ +40 °C	90
50 / 50	3		12
50 / 50	10		80
50 / 50	3	-20°C ÷ +50 °C	105

Maximum possible number of terminals definite by enclosure dimensions

Maximum possible number of terminals definite by enclosure dimensions	36	30	22	18	15	15	10	8
Width of single terminal [mm]	5	6	7	10	12	12	15	18,5
Allowed cross-section of conductor for single terminal	1x2.5-1.5 mm ²	1 x4-1,5 mm ²	1 x6-1,5 mm ²	1 x10-2.5 mm ²	1 x16-2.5 mm ²	1 x 25-6 mm ²	1 x 35-6 mm ²	1 x 50-10 mm ²
Width of PE terminal [mm]	5	6	7	10	12	12	15	18.5
Width of end holder	9							
Space for terminals on DIN rail without end holders	max. 214 mm							



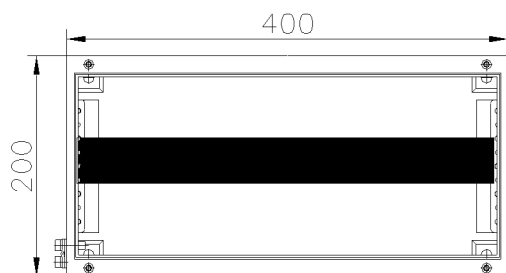
Terminal box **SKX 18I-1/E** (400x200x120 mm), **SKX 18I-2/E** (400x300x120 mm)

Table of allowed number of terminals

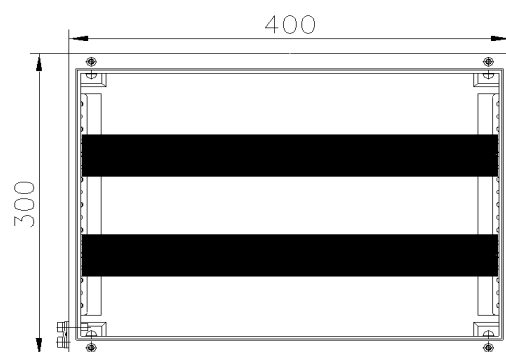
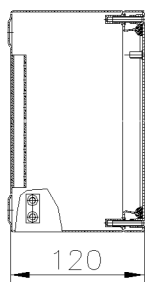
Nominal cross section of conductors / terminals (mm ²)	Maximum number of terminals	Ambient temperature Ta[°C]	I _{max} [A]
2,5 / 2,5	95	-20°C ÷ +40 °C	9
2,5 / 2,5	55		12
2,5 / 2,5	4		16
2,5 / 2,5	95	-20°C ÷ +50 °C	8
2,5 / 2,5	55		10
2,5 / 2,5	4		14
4 / 4	88	-20°C ÷ +40 °C	12
4 / 4	50		16
4 / 4	4		23
4 / 4	88	-20°C ÷ +50 °C	10
4 / 4	50		14
4 / 4	4		20
6 / 6	75	-20°C ÷ +40 °C	16
6 / 6	36		23
6 / 6	4		34
6 / 6	75	-20°C ÷ +50 °C	14
6 / 6	36		20
6 / 6	4		30
10 / 10	60	-20°C ÷ +40 °C	23
10 / 10	27		34
10 / 10	4		48
10 / 10	60	-20°C ÷ +50 °C	20
10 / 10	27		30
10 / 10	4		42
16 / 16	44	-20°C ÷ +40 °C	34
16 / 16	22		48
16 / 16	4		60
16 / 16	44	-20°C ÷ +50 °C	30
16 / 16	22		42
16 / 16	4		50
25 / 25	34	-20°C ÷ +40 °C	48
25 / 25	21		60
25 / 25	4		80
25 / 25	34	-20°C ÷ +50 °C	42
25 / 25	21		50
25 / 25	4		70
35 / 35	31	-20°C ÷ +40 °C	60
35 / 35	17		80
35 / 35	4		105
35 / 35	31	-20°C ÷ +50 °C	50
35 / 35	17		70
35 / 35	4		90
50 / 50	25	-20°C ÷ +40 °C	80
50 / 50	13		110
50 / 50	4		125
50 / 50	25	-20°C ÷ +40 °C	70
50 / 50	13		95
50 / 50	4		100

Maximum possible number of terminals definite by enclosure dimensions

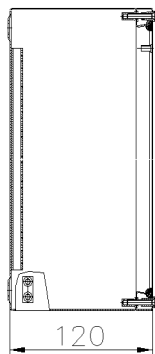
Maximum possible number of terminals definite by enclosure dimensions	64	54	40	32	26	26	20	16
Width of single terminal [mm]	5	6	7	10	12	12	15	18,5
Allowed cross-section of conductor for single terminal	1x2.5-1.5 mm ²	1 x4-1.5 mm ²	1 x6-1.5 mm ²	1 x10-2.5 mm ²	1 x16-2.5 mm ²	1 x 25-6 mm ²	1 x 35-6 mm ²	1 x 50-10 mm ²
Width of PE terminal [mm]	5	6	7	10	12	12	15	18.5
Width of end holder	9							
Space for terminals on DIN rail without end holders	max. 300 mm							



Ex terminal box SKX 18I-1/E



Ex terminal box SKX 18I-2/E



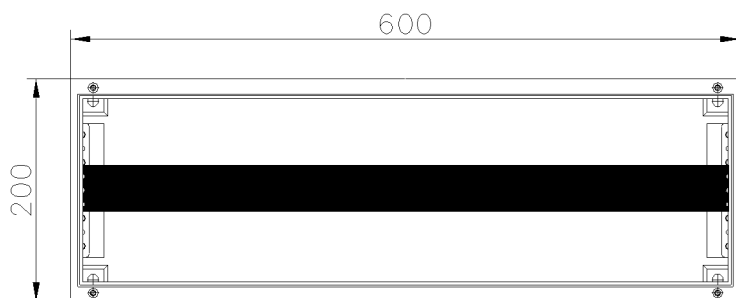
Terminal box SKX 20I/E (600x200x120 mm)

Table of allowed number of terminals

Nominal cross section of conductors / terminals (mm ²)	Maximum number of terminals	Ambient temperature Ta[°C]	I _{max} [A]
2,5 / 2,5	200	-20°C ÷ +40 °C	6
2,5 / 2,5	102		9
2,5 / 2,5	60		12
2,5 / 2,5	4		16
2,5 / 2,5	102	-20°C ÷ +40 °C	8
2,5 / 2,5	60		10
2,5 / 2,5	4		14
4 / 4	180	-20°C ÷ +50 °C	9
4 / 4	96		12
4 / 4	53		16
4 / 4	4	-20°C ÷ +40 °C	23
4 / 4	96		10
4 / 4	53		14
4 / 4	4		20
6 / 6	80	-20°C ÷ +50 °C	16
6 / 6	38		23
6 / 6	4		34
6 / 6	80	-20°C ÷ +40 °C	14
6 / 6	38		20
6 / 6	4		30
6 / 6	4		23
10 / 10	65	-20°C ÷ +50 °C	23
10 / 10	29		34
10 / 10	4		48
10 / 10	65	-20°C ÷ +40 °C	20
10 / 10	29		30
10 / 10	4		42
10 / 10	4		20
16 / 16	47	-20°C ÷ +50 °C	34
16 / 16	24		48
16 / 16	4		60
16 / 16	47	-20°C ÷ +40 °C	30
16 / 16	24		42
16 / 16	4		50
16 / 16	4		48
25 / 25	37	-20°C ÷ +50 °C	48
25 / 25	23		60
25 / 25	4		80
25 / 25	37	-20°C ÷ +40 °C	42
25 / 25	23		50
25 / 25	4		70
25 / 25	4		60
35 / 35	33	-20°C ÷ +50 °C	60
35 / 35	18		80
35 / 35	4		105
35 / 35	33	-20°C ÷ +40 °C	50
35 / 35	15		70
35 / 35	4		90
35 / 35	4		80
50 / 50	26	-20°C ÷ +50 °C	80
50 / 50	14		110
50 / 50	4		125
50 / 50	26	-20°C ÷ +40 °C	70
50 / 50	14		95
50 / 50	4		100
50 / 50	4		

Maximum possible number of terminals definite by enclosure dimensions

Maximum possible number of terminals definite by enclosure dimensions	100	86	66	50	40	40	30	26
Width of single terminal [mm]	5	6	7	10	12	12	15	18,5
Allowed cross-section of conductor for single terminal	1x2.5-1.5 mm ²	1 x4-1,5 mm ²	1 x6-1,5 mm ²	1 x10-2.5 mm ²	1 x16-2.5 mm ²	1 x 25-6 mm ²	1 x 35-6 mm ²	1 x 50-10 mm ²
Width of PE terminal [mm]	5	6	7	10	12	12	15	18,5
Width of end holder	9							
Space for terminals on DIN rail without end holders	max. 500 mm							



Ex terminal box SKX 201/E

