

IP 66



SKX .. /E



- Enclosures in shock-resistant glass fiber reinforced polyester resin
- 7 basic enclosure sizes
- Fitted according to the customer's requirements

CONSTRUCTION

Enclosure: SMC glass fiber reinforced polyamide, color - black
 Cover: SMC glass fiber reinforced polyamide with integrated thermoplastic elastomer gasket, closes with four M5/M6 stainless steel screws.

TECHNICAL DATA

Certificate:	FIDI 19 ATEX 0056 , FIDI 19 ATEX 0057 EAC RU C-HR.AB24.B.03292
Marking:	0722
Apparatus category:	II 2G II 2D
Marking of explosion protection:	II 2G Ex eb IIC T6 Gb II 2G Ex ia/ib IIC T6 Gb II 2G Ex eb ia/ib IIC T6 Gb II 2D Ex tb IIC T80° Db
Ambient temperature ATEX: EAC:	-20°C ≤ T _a ≤ +40°C/+50°C/+55°C -50°C ≤ T _a ≤ +50°C
Degree of protection:	IP 66 category 1
Resistance to shock:	IK 08
Protection class :	I (protective earthing)
Rated voltage:	630 V
Nominal current:	Up to 125 A (depend on size and number of terminals)
Maximum safe voltage U_m for intrinsically safe circuits Exi:	60 V
PE terminals (inside of the enclosure):	max. 2x4 mm ² +2x2,5 mm ² , 3x4 mm ² , 2x6 mm ²
N/PE rails inside the enclosure:	2 pcs, 11 terminals 2x4mm ² max.
Weight (without cable glands):	SKX 12/E 0,5kg SKX 13/E 0,7kg SKX 14/E 1,0kg SKX 15/E 1,0 - 1,5kg SKX 17/E 3,8kg SKX 18/E 4,5kg SKX 20/E 7,0kg

MOUNTING

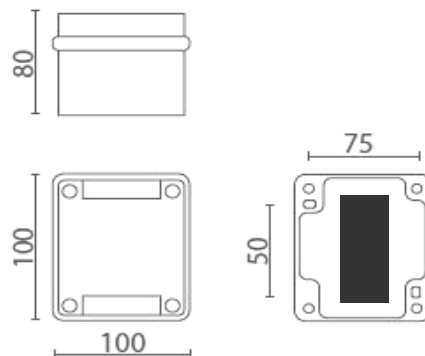
With two/four screws through the housing holes $\phi 6$ mm at the peaks the rectangle:

SKX 12: 75 x 50 mm
 SKX 13: 75 x 100 mm
 SKX 14: 75 x 150 mm
 SKX 15: 125 x 150 mm

SKX 17: 285 x 200 mm
 SKX 18: 380 x 200 mm
 SKX 20: 580 x 200 mm

Terminal box SKX 12/E

Nominal cross-section of conductor / terminal [mm ²]	Max. number of terminals	Max.ambient temp Ta °C	I _{max} [A]
4/4	5	40	20
		50	18
		55	17

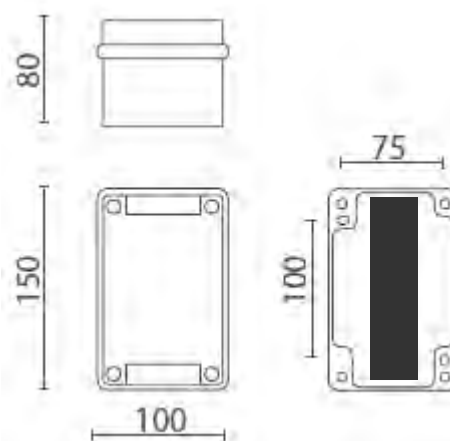


Max. number of cable entries:

Cable gland Side	M16	M20	M25
A-C	2	2	1
B-D	1	1	1

Terminal box SKX 13/E

Nominal cross-section of conductor / terminal [mm ²]	Max. number of terminals	Max.ambient temp Ta °C	I _{max} [A]
4/4	8	40	19
		50	17
		55	16
6/6	8	40	25
		50	22
		55	19

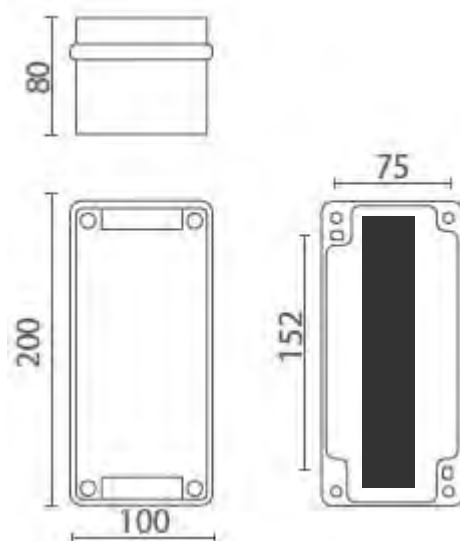


Max. number of cable entries:

Cable gland Side	M16	M20	M25
A-C	2	2	1
B-D	4	3	2

Terminal box SKX 14/E

Nominal cross-section of conductor / terminal [mm ²]	Max. number of terminals	Max.ambient temp Ta °C	I _{max} [A]
4/4	16	40	20
		50	18
		55	16
6/6	16	40	25
		50	22
		55	19



Max. number of cable entries:

Cable gland Side	M16	M20	M25	M32
A-C	2	2	1	1
B-D	6	4	3	2

Terminal box SKX 15/E

Table of permitted combinations of conductors on the principle of maximum rated losses (ambient temperature Ta 40°C)

Nominal cross-section of conductor / terminal [mm ²]	Maximum number of terminals	I _{max} [A]
2,5/2,5	28	12
4/4	24	16
6/6	16	20
10/10	12	33
16/16	12	50
25/25	8	60
35/35	4	80

The maximum number of terminals specified by the measures of the terminal boxes	24 + busbar 22PE	24	16	14	12	8	4
Width of terminal [mm]	5	6	7	10	12	12	15
Allowed number of conductors per terminal	1x2.5-1.5 mm ²	1 x4-1.5 mm ²	1 x6-1.5 mm ²	1 x10-2.5 mm ²	1 x16-2.5 mm ²	1 x 25-6 mm ²	1 x 35-6 mm ²
Width of PE terminal [mm]	6	6	8	10	12	16	16
Width of final terminal [mm]	9						
Space for a terminal on DIN rail without end terminals	max. 140 mm						

- 1) Two conductors are connected on one terminal
- 2) PE conductors and jumpers are not taken in the calculation

It is possible to connect on one terminal smaller nominal cross-section conductors, but the maximum number of conductors and maximum current for the nominal wire size must be respected according to "Table of permitted installation".

Combination of many different nominal cross-section terminals and conductors in one terminal box is allowed. Possible combinations are calculated on the basis of the "Table of permitted installation" so that the total maximum losses and the possibility of a physical installation is possible.

Terminal box

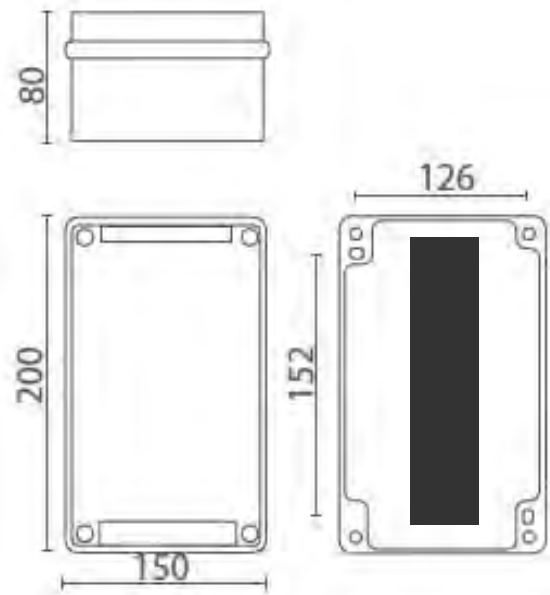
Max. number of cable entries:

DIMENSIONS [mm]

Side	Cable gland	M16	M20	M25	M32
A-C		4	3	2	2
B-D		6	4	3	2

Side	Cable gland	M16	M20	M25	M32
A-C		4	3	2	2
B-D		5	3	3	-

*with N/PE rails



Terminal box SKX 17/E

Table of allowed number of terminals

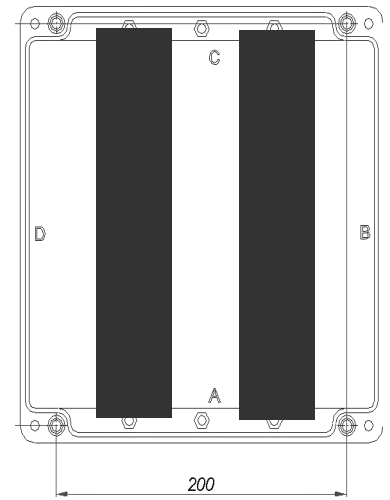
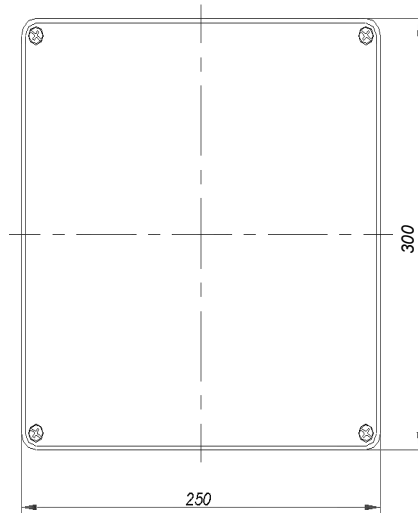
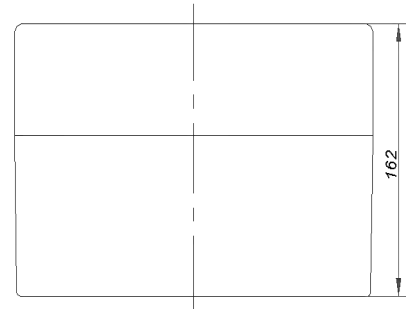
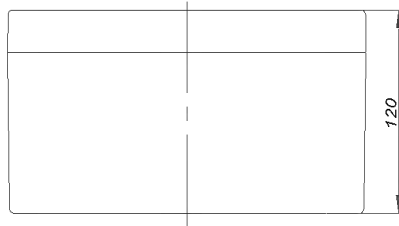
Nominal cross section of conductors / terminals (mm ²)	Maximum number of terminals	Ambient temperature Ta[°C]	I _{max} [A]
2,5 / 2,5	70	-20°C ÷ +40 °C	9
2,5 / 2,5	36		13
2,5 / 2,5	4		18
2,5 / 2,5	70	-20°C ÷ +50 °C	8
2,5 / 2,5	36		11
2,5 / 2,5	4		16
4 / 4	61	-20°C ÷ +40 °C	13
4 / 4	30		18
4 / 4	4		26
4 / 4	61	-20°C ÷ +50 °C	11
4 / 4	30		16
4 / 4	4		22
6 / 6	40	-20°C ÷ +40 °C	18
6 / 6	22		26
6 / 6	4		35
6 / 6	40	-20°C ÷ +50 °C	16
6 / 6	22		22
6 / 6	4		31
10 / 10	37	-20°C ÷ +40 °C	26
10 / 10	17		40
10 / 10	4		48
10 / 10	37	-20°C ÷ +50 °C	22
10 / 10	17		34
10 / 10	4		40
16 / 16	27	-20°C ÷ +40 °C	38
16 / 16	15		52
16 / 16	4		65
16 / 16	27	-20°C ÷ +50 °C	32
16 / 16	15		45
16 / 16	4		56
25 / 25	24	-20°C ÷ +40 °C	52
25 / 25	15		65
25 / 25	4		86
25 / 25	24	-20°C ÷ +50 °C	45
25 / 25	15		56
25 / 25	4		74
35 / 35	16	-20°C ÷ +40 °C	65
35 / 35	10		90
35 / 35	4		105
35 / 35	16	-20°C ÷ +50 °C	56
35 / 35	10		80
35 / 35	4		90
50 / 50	14	-20°C ÷ +40 °C	90
50 / 50	4		120
50 / 50	11	-20°C ÷ +50 °C	80
50 / 50	4		105

Terminal box

Max. number of cable entries:

DIMENSIONS [mm]

Side	Cable gland	M20	M25	M32	M40	M50	M63
B-D		9	9	5	3	3	2
A-C		7	5	3	3	1	1



Terminal box SKX 18/E

Table of allowed number of terminals

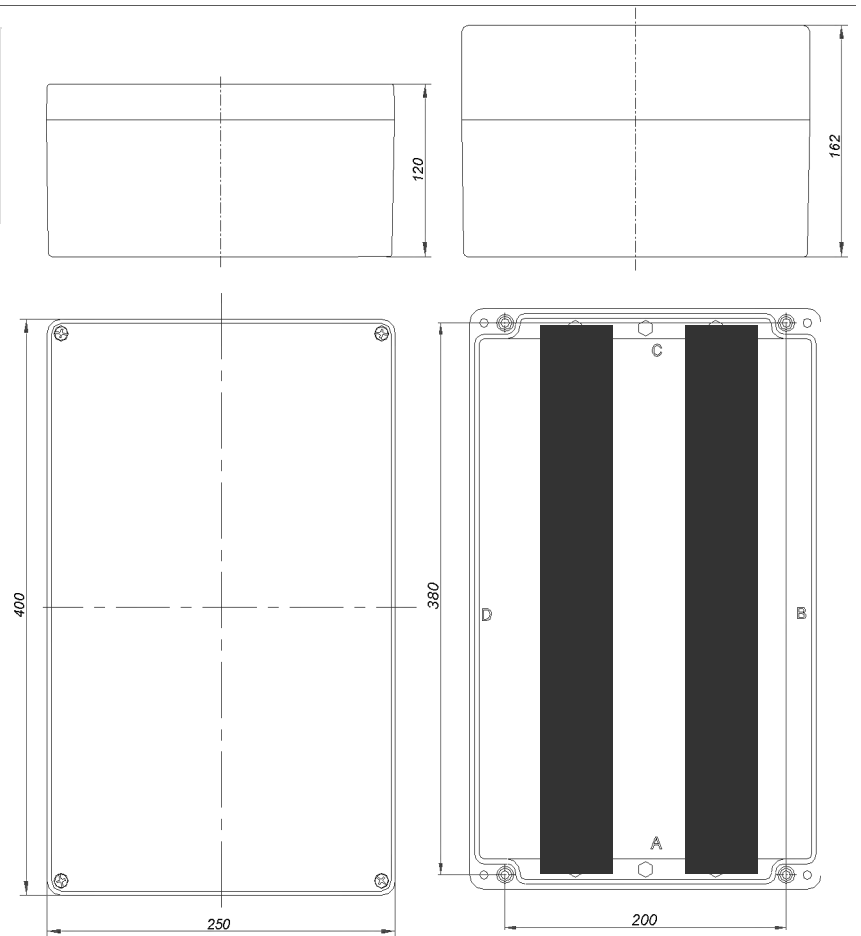
Nominal cross section of conductors / terminals (mm ²)	Maximum number of terminals	Ambient temperature Ta[°C]	I _{max} [A]
2,5 / 2,5	180	-20°C ÷ +40 °C	9
2,5 / 2,5	64		12
2,5 / 2,5	4		16
2,5 / 2,5	108	-20°C ÷ +50 °C	8
2,5 / 2,5	64		10
2,5 / 2,5	4		14
4 / 4	103	-20°C ÷ +40 °C	12
4 / 4	54		16
4 / 4	4		23
4 / 4	103	-20°C ÷ +50 °C	10
4 / 4	54		14
4 / 4	4		20
6 / 6	83	-20°C ÷ +40 °C	16
6 / 6	40		23
6 / 6	4		34
6 / 6	83	-20°C ÷ +50 °C	14
6 / 6	40		20
6 / 6	4		30
10 / 10	68	-20°C ÷ +40 °C	23
10 / 10	32		34
10 / 10	4		48
10 / 10	68	-20°C ÷ +50 °C	20
10 / 10	32		30
10 / 10	4		42
16 / 16	48	-20°C ÷ +40 °C	34
16 / 16	26		48
16 / 16	4		60
16 / 16	48	-20°C ÷ +50 °C	30
16 / 16	26		42
16 / 16	4		50
25 / 25	40	-20°C ÷ +40 °C	48
25 / 25	26		60
25 / 25	4		80
25 / 25	40	-20°C ÷ +50 °C	42
25 / 25	26		50
25 / 25	4		70
35 / 35	36	-20°C ÷ +40 °C	60
35 / 35	20		80
35 / 35	4		105
35 / 35	36	-20°C ÷ +50 °C	50
35 / 35	20		70
35 / 35	4		90
50 / 50	26	-20°C ÷ +40 °C	80
50 / 50	16		110
50 / 50	4		125
50 / 50	26	-20°C ÷ +50 °C	70
50 / 50	16		95
50 / 50	4		100

Terminal box

Max. number of cable entries:

DIMENSIONS [mm]

Side	Cable gland	M20	M25	M32	M40	M50	M63
B-D		17	15	9	6	5	4
A-C		9	7	3	3	2	2



Terminal box SKX 20/E

Table of allowed number of terminals

Nominal cross section of conductors / terminals (mm ²)	Maximum number of terminals	Ambient temperature Ta[°C]	I _{max} [A]
2,5 / 2,5	200	-20°C ÷ +40 °C	6
2,5 / 2,5	126		9
2,5 / 2,5	78		12
2,5 / 2,5	4		16
2,5 / 2,5	126	-20°C ÷ +50 °C	8
2,5 / 2,5	78		10
2,5 / 2,5	4		14
4 / 4	180		9
4 / 4	122	-20°C ÷ +40 °C	12
4 / 4	66		16
4 / 4	4		23
4 / 4	122		10
4 / 4	66	-20°C ÷ +50 °C	14
4 / 4	4		20
6 / 6	98		16
6 / 6	48		23
6 / 6	4	-20°C ÷ +40 °C	34
6 / 6	98		14
6 / 6	48		20
6 / 6	4		30
10 / 10	80	-20°C ÷ +50 °C	23
10 / 10	36		34
10 / 10	4		48
10 / 10	80		20
10 / 10	36	-20°C ÷ +40 °C	30
10 / 10	4		42
16 / 16	58		34
16 / 16	29		48
16 / 16	4	-20°C ÷ +50 °C	60
16 / 16	58		30
16 / 16	29		42
16 / 16	4		50
25 / 25	46	-20°C ÷ +40 °C	48
25 / 25	30		60
25 / 25	4		80
25 / 25	46		42
25 / 25	30	-20°C ÷ +50 °C	50
25 / 25	4		70
35 / 35	41		60
35 / 35	23		80
35 / 35	4	-20°C ÷ +40 °C	105
35 / 35	41		50
35 / 35	23		70
35 / 35	4		90
50 / 50	33	-20°C ÷ +50 °C	80
50 / 50	18		110
50 / 50	4		125
50 / 50	33		70
50 / 50	18	-20°C ÷ +40 °C	95
50 / 50	4		100

Terminal box

Max. number of cable entries:

DIMENSIONS [mm]

Side	Cable gland	M20	M25	M32	M40	M50	M63
B-D		24	22	12	8	6	6
A-C		9	7	3	3	2	2

