

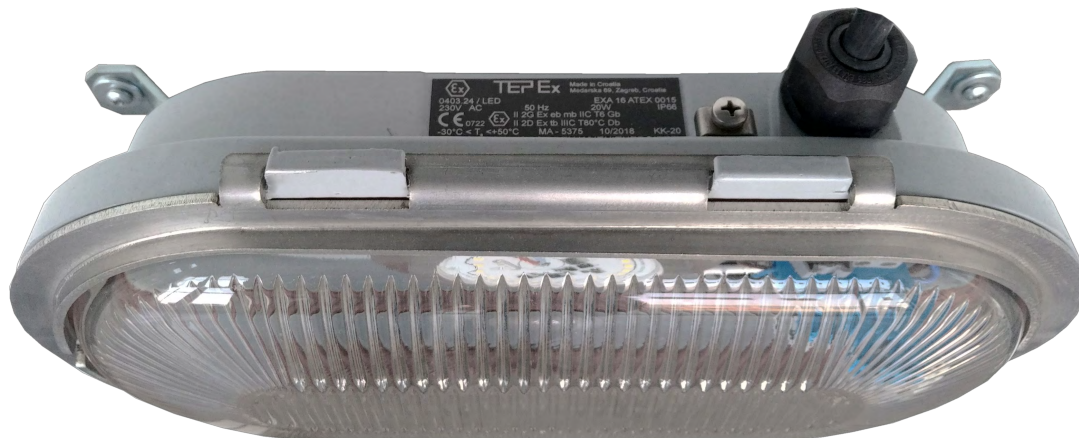
LED

IP 66

IK08

T_a
-30 +50

0403.24 LED



- Robust light alloy enclosure weighs only 4 kg
- Allowing the user to mount in areas where the available space is restricted
- Estimated service life 70 000 hours
- CCT 2700K

CONSTRUCTION

Housing: aluminium powder painted casting
 Diffuser: borosilicate glass, silicone gasket
 Protected grid: AISI 316
 Standard version without protected grid

TECHNICAL DATA

Certificate:	FIDI 19 ATEX 0059
Marking:	CE 0722
Apparatus category:	II 2G II 2D
Marking of explosion protection:	Ex eb mb op is IIC T6 Gb Ex tb op is IIIC T80°C Db
Ambient temperature:	-30°C ≤ T _a ≤ +50°C
Degree of protection:	IP 66 category 1
Resistance to shock:	IK 08
Protection class :	I (protective earthing)
Rated voltage:	230 VAC (48-230 VAC/DC ±15% Autonomous power supply / on request)
Frequency:	50Hz
Rated power:	17 W
Connecting terminals:	terminals L+N+PE , 2 x 4 mm ²
Cable entry:	2x M25 (1x M25 Exe cable gland, 1x Exe M25 plug)
Weight:	4 kg
Packing:	The packing contains: 1 pcs 360x240x205 mm

MOUNTING

Two brackets with two screws M6

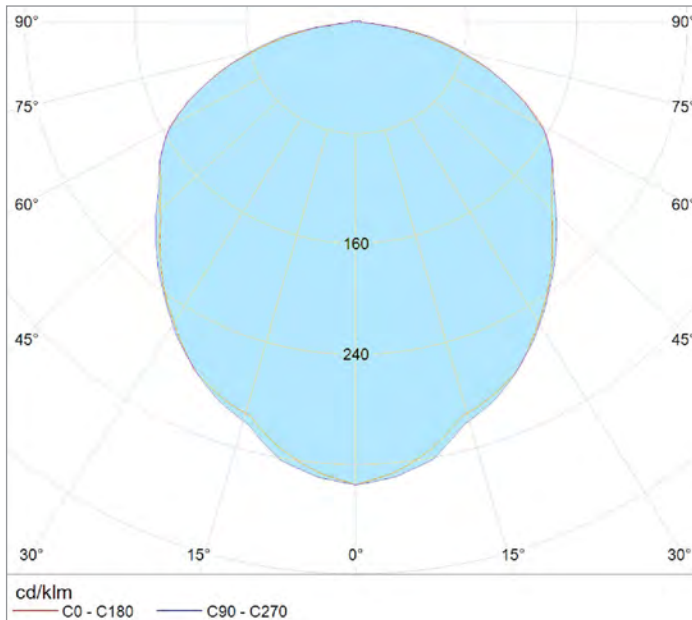


Bulkhead LED light fitting

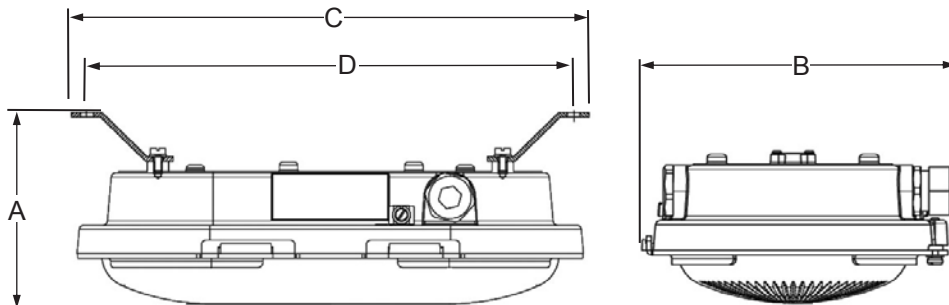
MODEL CODE

MODEL CODE / glass	Power consumption [W]	Light fitting Luminous flux [lm]	System efficacy [lm/W]
0403.24 LED 20-1 / transparent	17W	1575	93
0403.24 LED 20-2 / green			
0403.24 LED 20-3 / red			

POLAR CURVE



DIMENSION DRAWING (all dimensions in mm)



A	B	C	D
125	192	350	319

SPARE PARTS AND ACCESSORIES

SKETCH	DESCRIPTION	CODE	SKETCH	DESCRIPTION	CODE
	LEDEx 01 17W modul	0403.24 LED 10-110		Ex e cable gland M25	SPU 25
	Gasket 0403.24 LED	0403.24 LED 10-120		Ex e plug M25	SPC 25
	Glass cover	0403.24 LED 10-130		Wall bracket	0403.24 LED 10-160
	Protective grid	0403.24 LED 20-120		Pipe bracket R2"	0403.24 LED 10-170